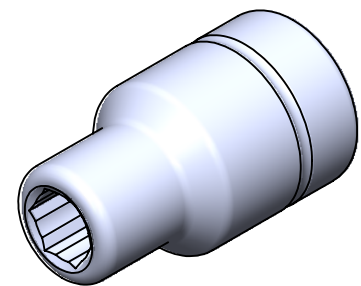
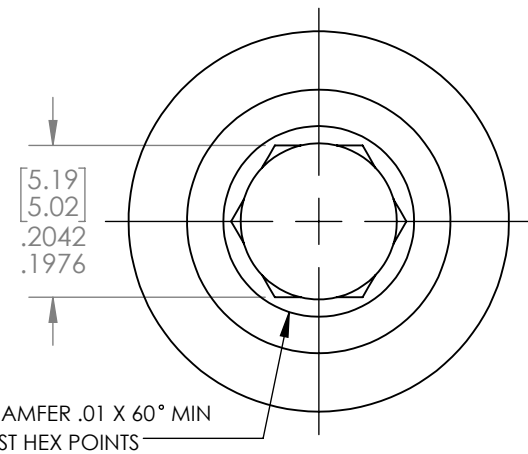
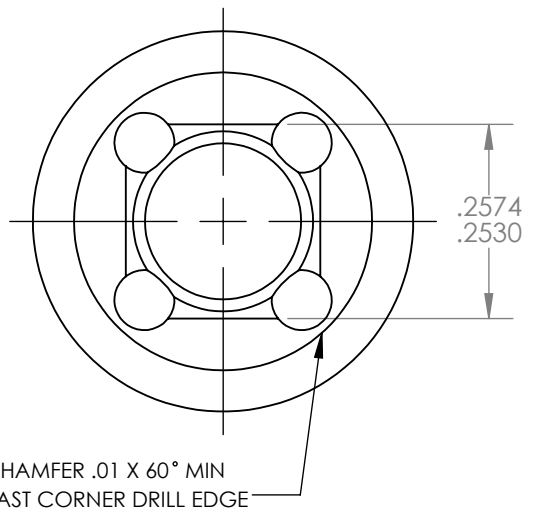
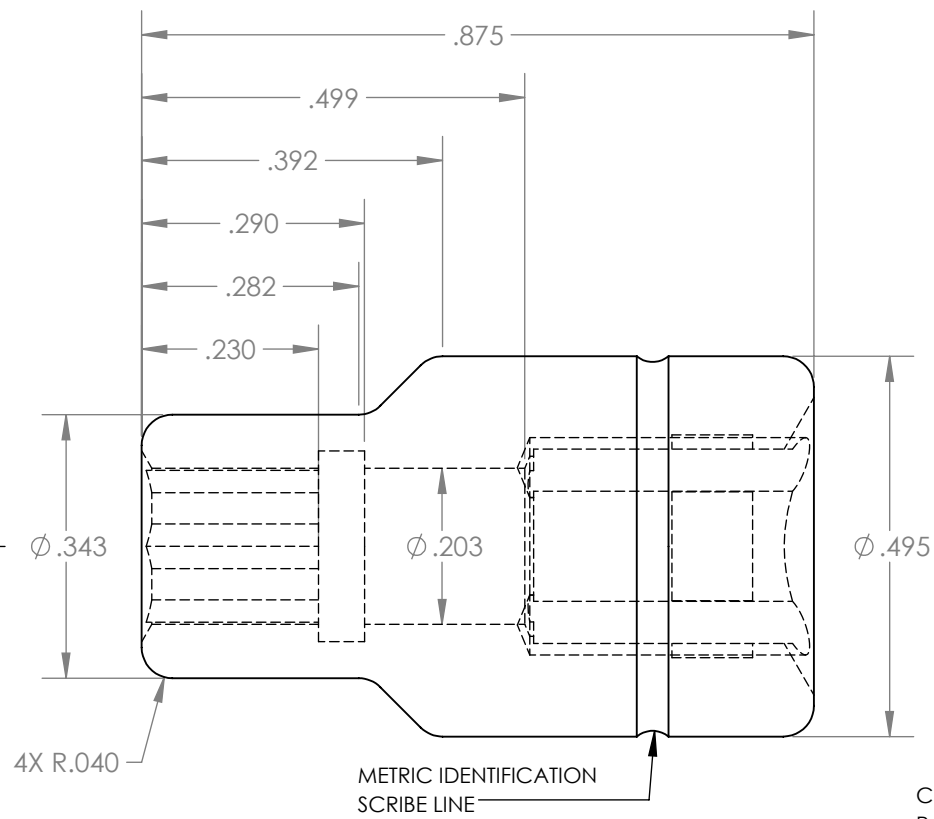


SCALE: 2:1



SCALE: 2:1

UNLESS OTHERWISE SPECIFIED: DIMENSIONS ARE IN INCHES				TOLERANCES: X.XX= ±0.13 X.XXX= ±0.015 X.XXXX= -0.0015		 The Global Source for Stainless Steel Tools	
DRAWN	NAME	SIGN	DATE				
APP'VD	A.T.		06.13.19			MATERIAL: 17-4 MAGNETIC S.S.	
THIS DRAWING IS THE PROPERTY OF STERITOOL, INC. ANY REPRODUCTIONS OR MODIFICATIONS OF THIS DRAWING OR ITS CONTENTS WITHOUT THE CONSENT OF STERITOOL, INC. IS PROHIBITED.				TITLE: 5.0MM X 1/4" DRIVE SOCKET		PART NO. 12909	
				SCALE: 4:1		SHEET 1 OF 1	
						REV: A	